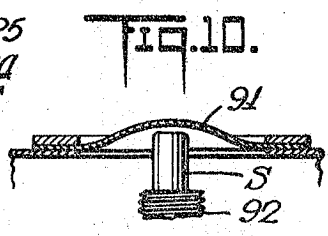
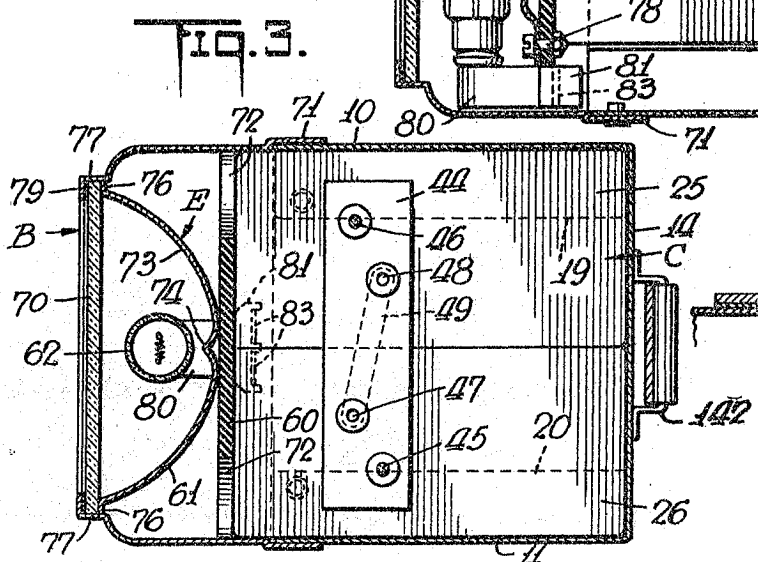
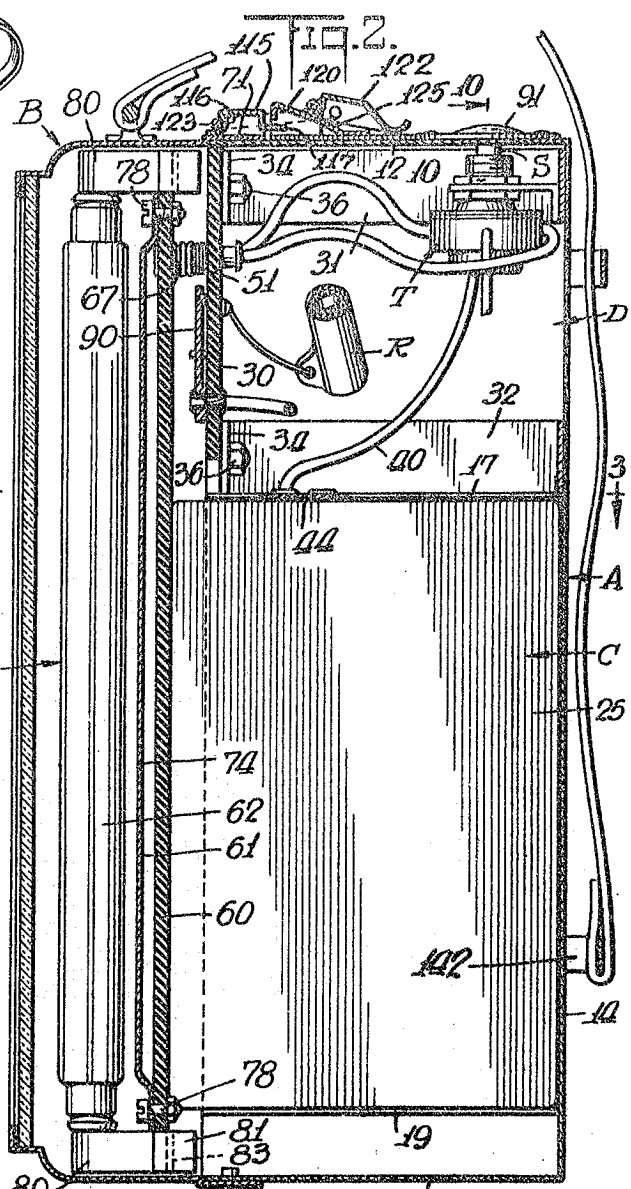
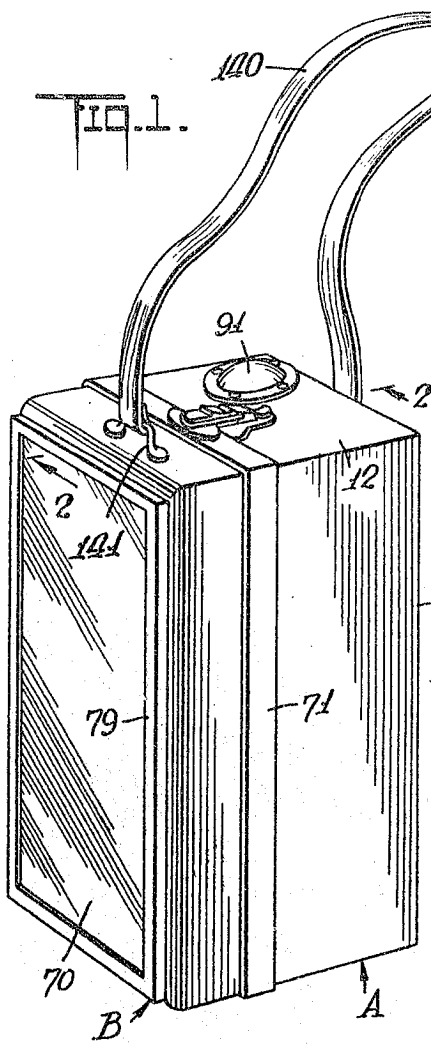


70



MORRIS B. BECK  
INVENTOR  
BY

*Smart & Biggar*  
ATTORNEY

Certified to be the drawing referred to in the specification hereunto annexed.

Ottawa, Ontario, Canada, May 12, 19 45.

3/11

47787

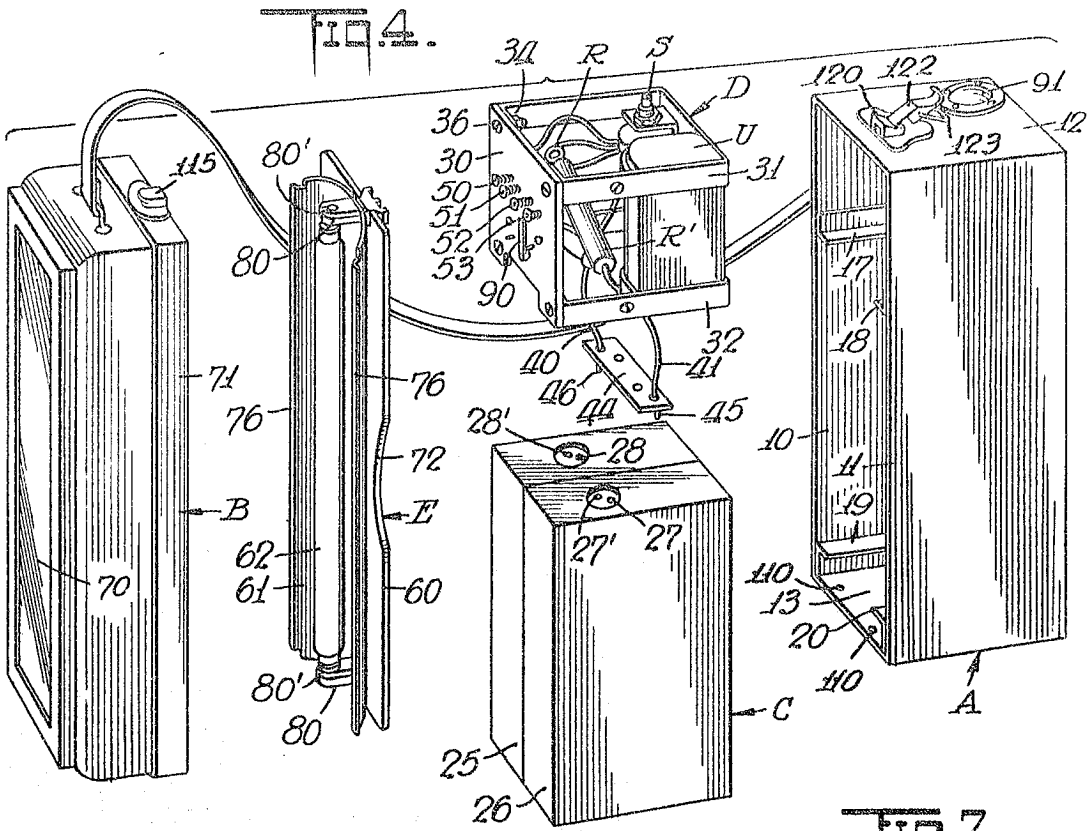


FIG. 5.

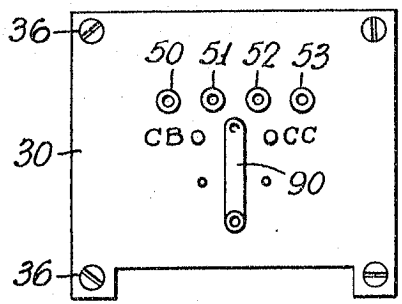


FIG. 6.

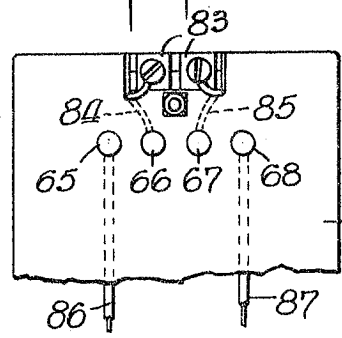


FIG. 7.

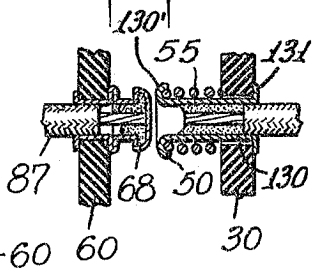


FIG. 8.

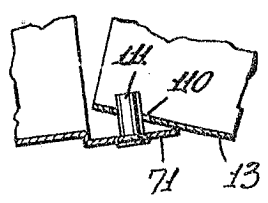
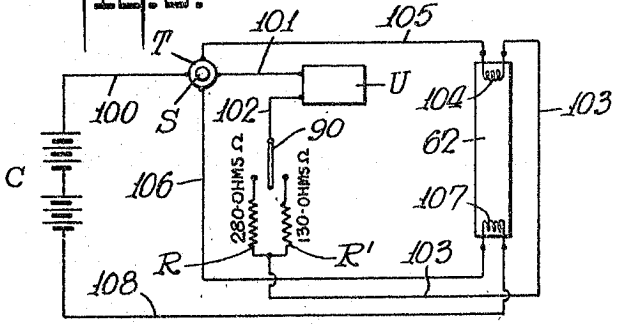


FIG. 9.



MORRIS B. BECK INVENTOR  
BY

*Smart & Biggs*

ATTORNEY

Certified to be the drawing referred to in the specification hereunto annexed.

Ottawa, Ontario, Canada, May 12, 19 45.